

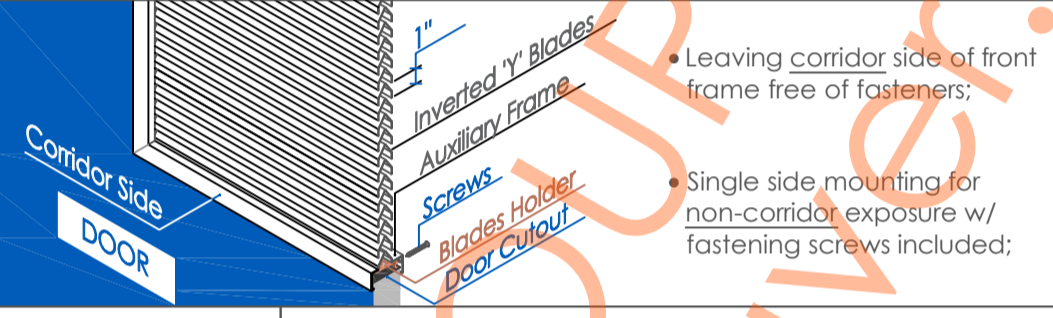
LV 406.5x406.5

1. STEEL DOOR LOUVER

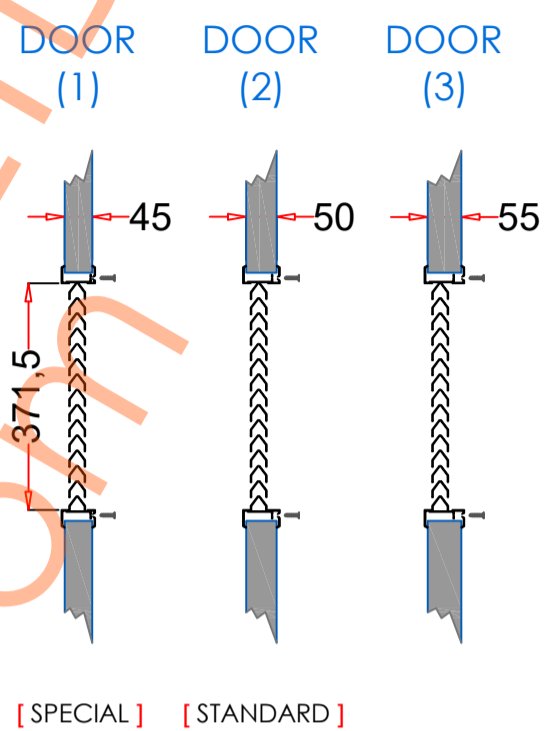
Type	SELF-ATTACHING & VANDAL-PROOF & NON-VISION Design;
Material	Galvanized Steel Plate
<p>① Main LOUVER: (To Corridor Side)</p> <p>1) Front Frame : 1.2mm thk., Mitered & Welded; Free of fasteners</p> <p>2) Blades Holder : 1.2mm thk., Full Welded Sq. / Rectangle Skeleton; To hold Blades and Spot-Weld Onto The Front Frame as ONE;</p> <p>3) Blades : 0.75mm thk.; Inverted Y shape; 11 pcs; 1" spacing</p> <p>② Auxiliary FRAME: (Non-Corridor Side)</p> <p>1.2mm thk., Mitered & Welded; w/ Countingsunk Screw-Holes</p>	

LOUVER O.D.	429.5*429.5mm
Free Air Flow	50% Free Area
Door Cutout	406.5*406.5mm (ORDER SIZE)
Door Thk.	45mm (Available) 50mm & 55mm (Standard)
Screws	Sheet Metal Screws; Stainless Steel; M4*30mm (Std.) 12 pcs

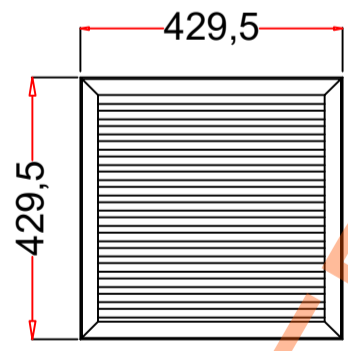
2. INSTALLATION Screws fasten the auxiliary frame to the louver core thru the door cutout;



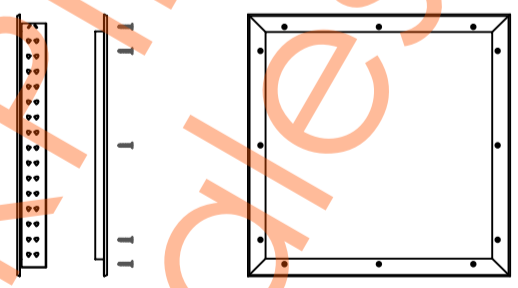
3. APPLICATION Louvered doors help ventilating room when closed while still providing privacy and security



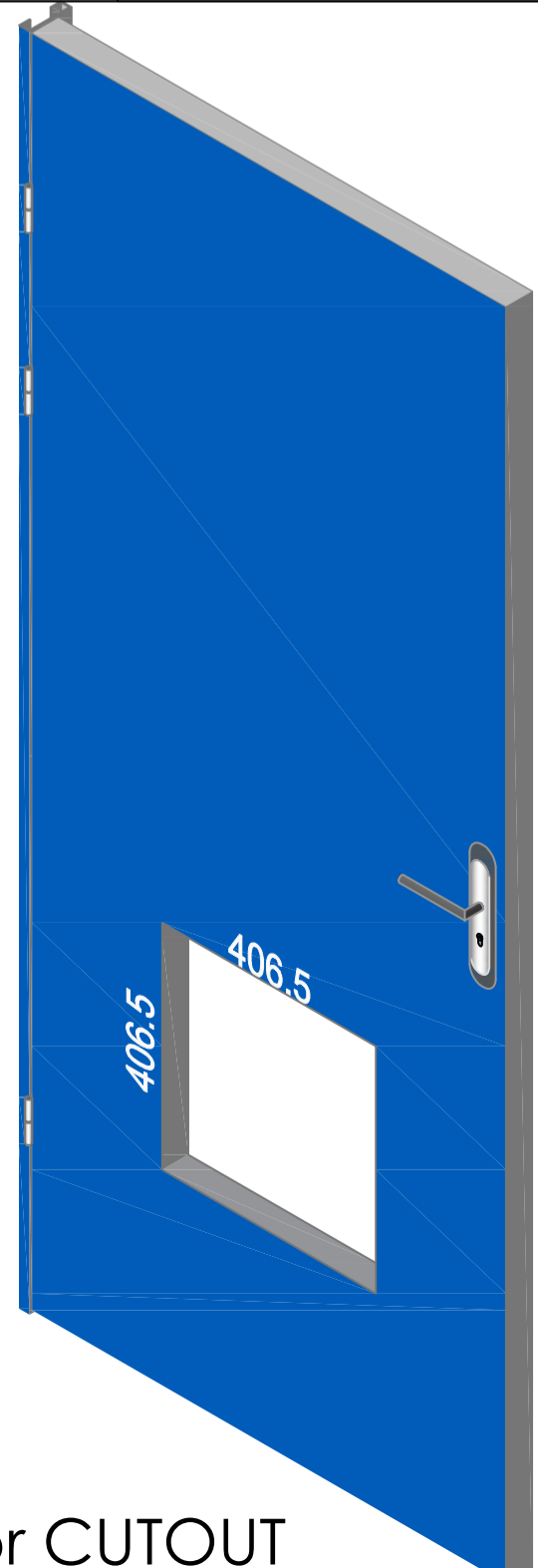
Door & LOUVER



LOUVER
[to Corridor Side]



Auxiliary FRAME
[Non-Corridor Side]



Door CUTOUT

LOUVER Drawing