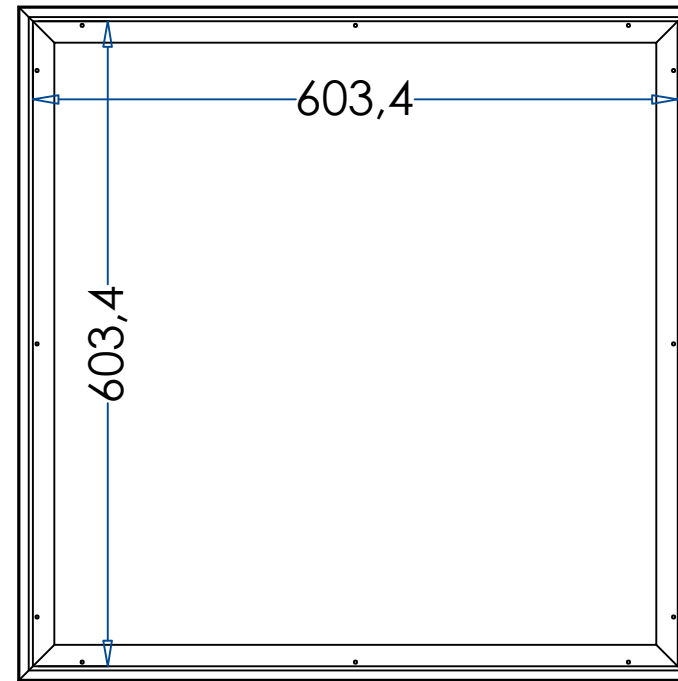
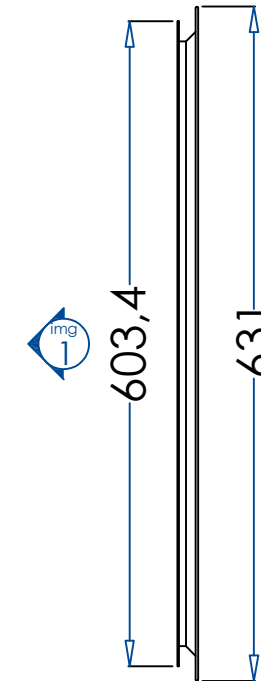


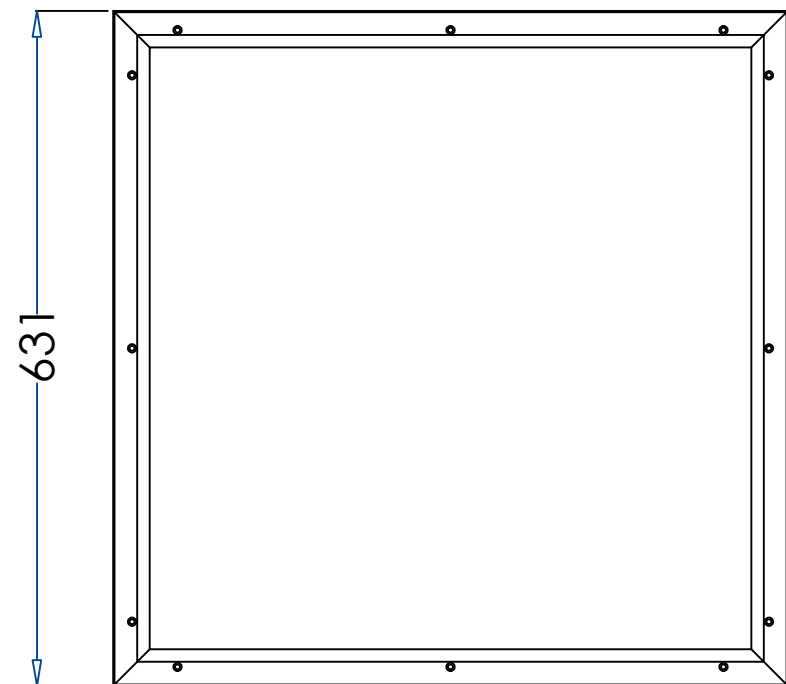
[ Front ]



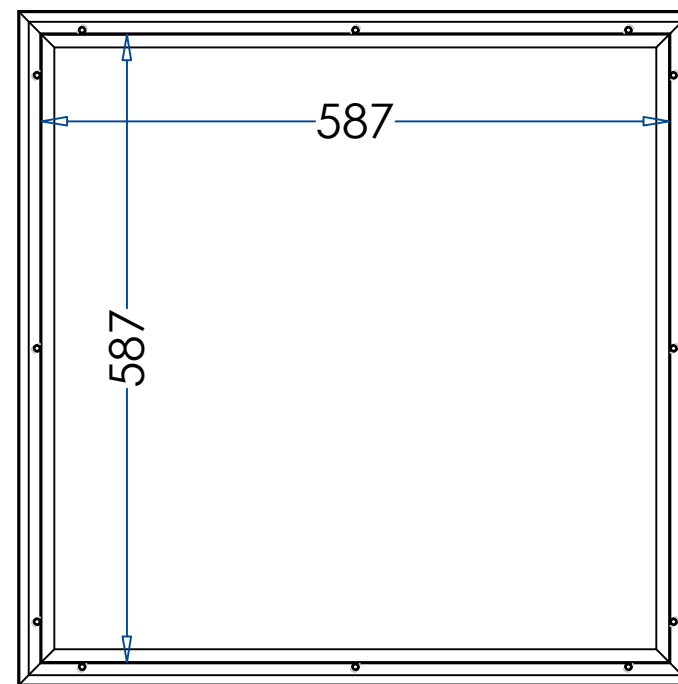
[ Back ]



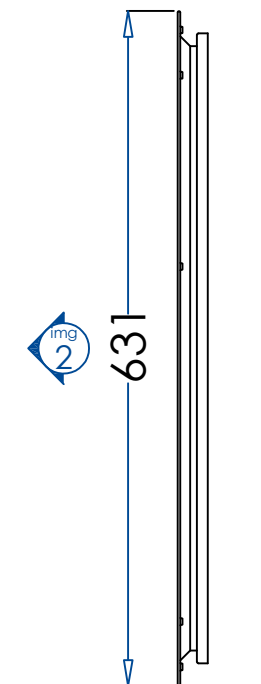
[ Side ]



[ Front ]



[ Back ]



[ Side ]

MODEL: 24" x 24"  
VP- 610 x 610  
SCALE: 1 : 1

DRAWN BY: Carrie Chen  
TEL: +86 18756506821

DRAWING TITLE:  
**VISION FRAMES**



Everpine Group Co., Ltd.  
www.dLouver.com