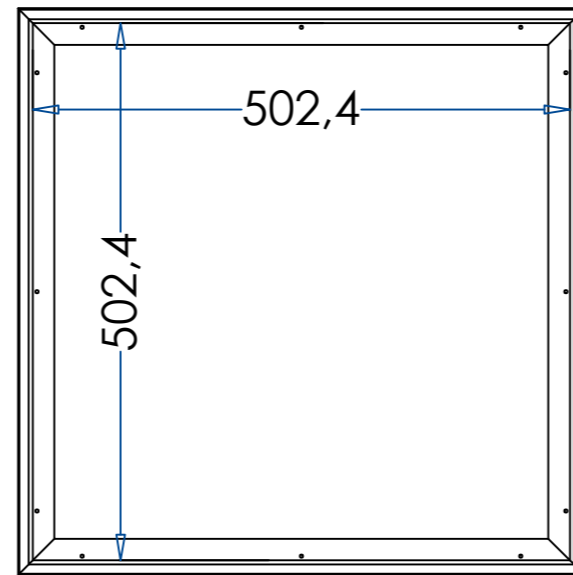
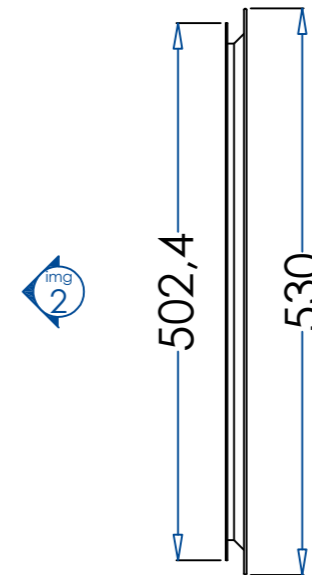


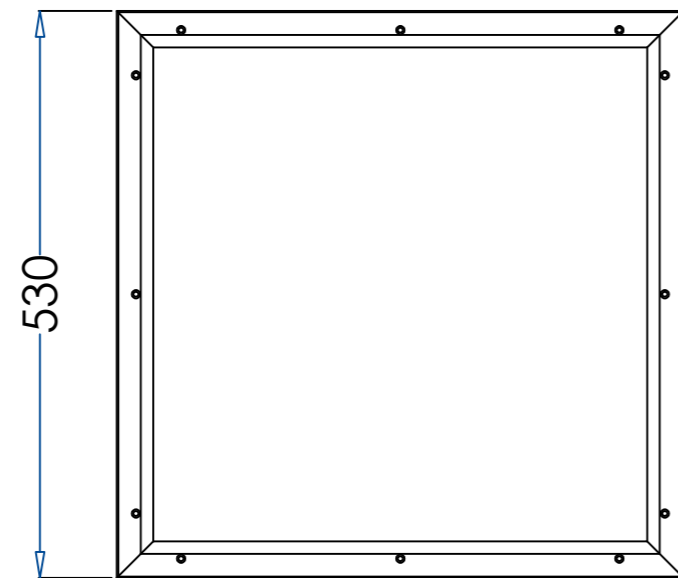
[Front]



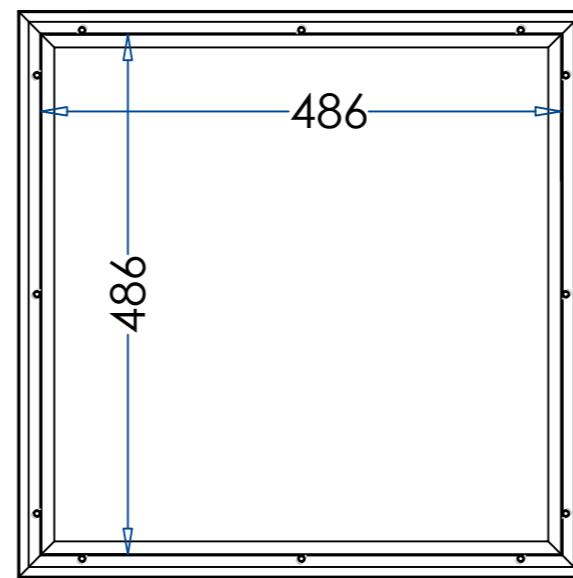
[Back]



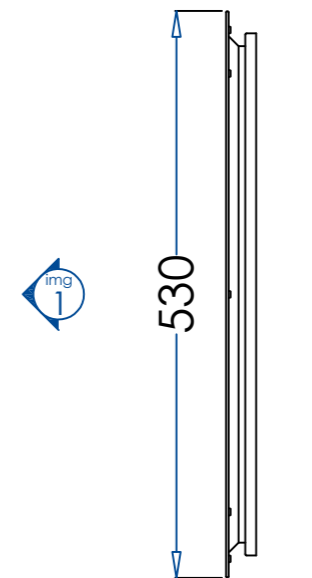
[Side]



[Front]



[Back]



[Side]

MODEL: 20" x 20"
VP- 509 x 509
SCALE: 1 : 1

DRAWN BY: Carrie Chen
TEL: +86 18756506821

DRAWING TITLE:
VISION FRAMES



Everpine Group Co., Ltd.
www.dLouver.com