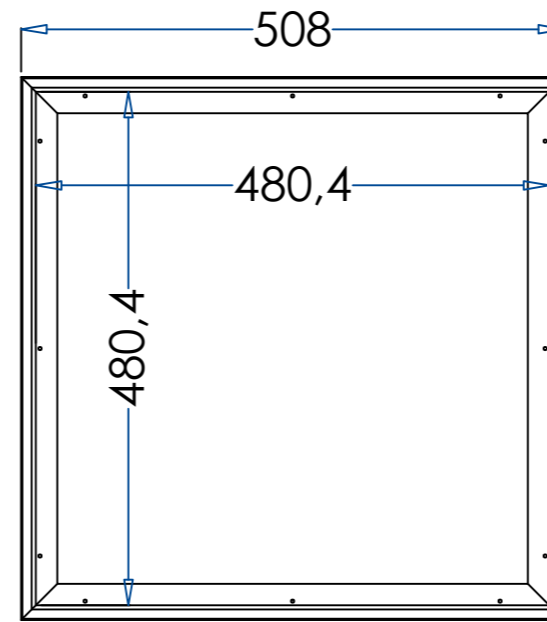
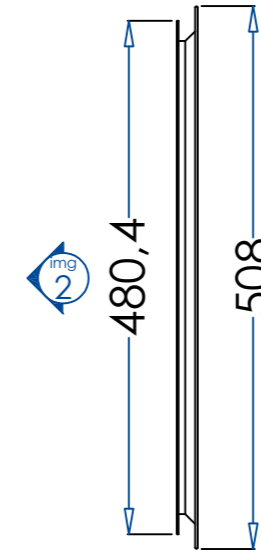


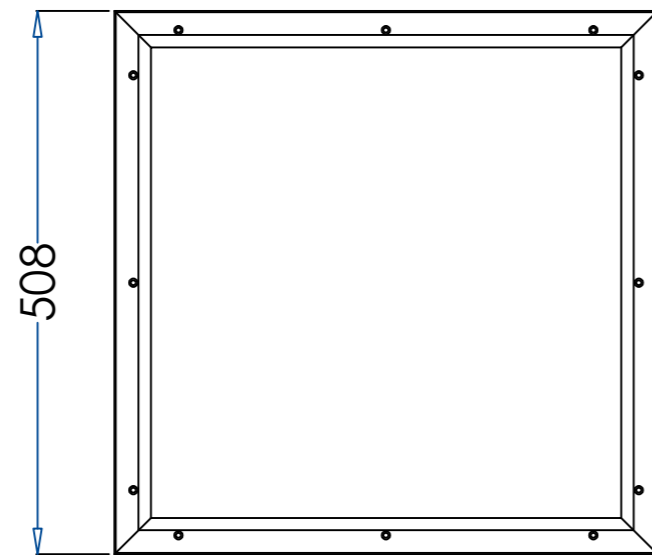
[Front]



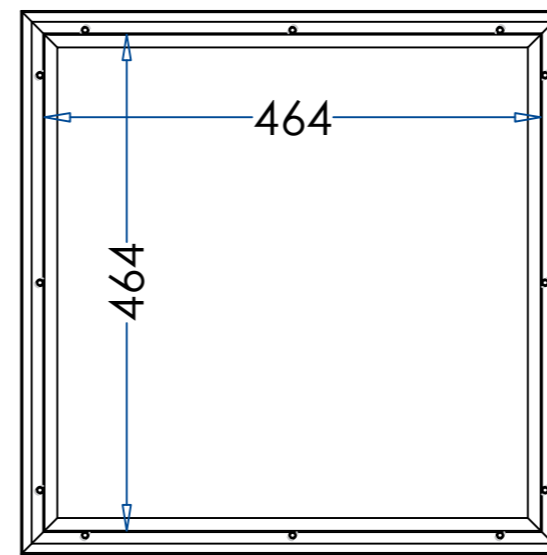
[Back]



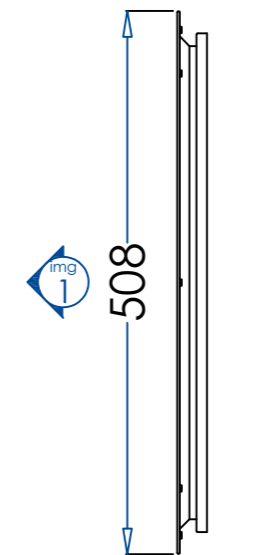
[Side]



[Front]



[Back]



[Side]

MODEL: 19" x 19"
VP- 487 x 487
SCALE: 1 : 1

DRAWN BY: Carrie Chen
TEL: +86 18756506821

DRAWING TITLE:



Everpine Group Co., Ltd.
www.dLouver.com